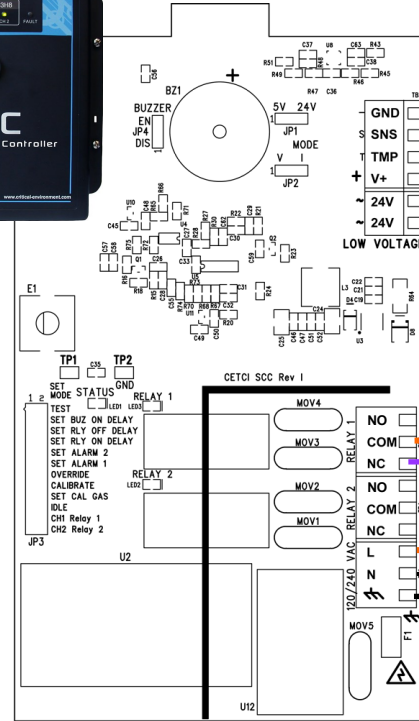


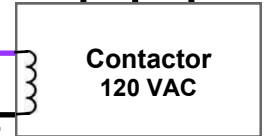
**RELAY CONTROL WIRING TERMINALS. CONNECT TO COM & NC. DO NOT USE SOLID CORE WIRE**

**RELAYS OPERATE IN A "FAILSAFE" CONFIGURATION**



**CRITICAL ENVIRONMENT TECHNOLOGIES CANADA INC.**  
[www.critical-environment.com](http://www.critical-environment.com)

**SCC USING RELAYS IN PARALLEL TO CONTROL FAN WIRING CONNECTION DRAWING**  
 November 1, 2018



**INSTALLER SUPPLIED OPTIONAL LINE VOLTAGE (90-240 VAC, 50-60 HZ)**