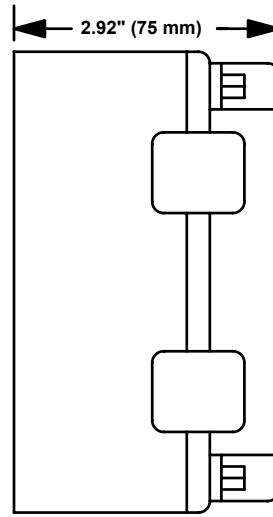
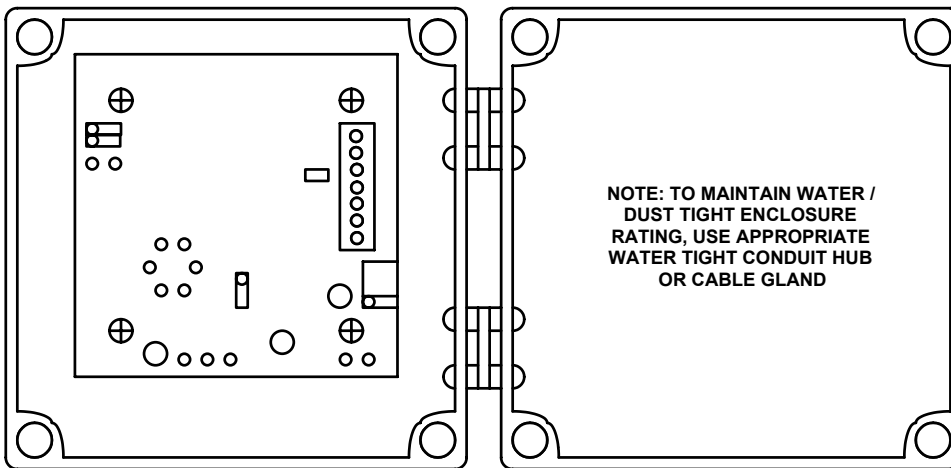


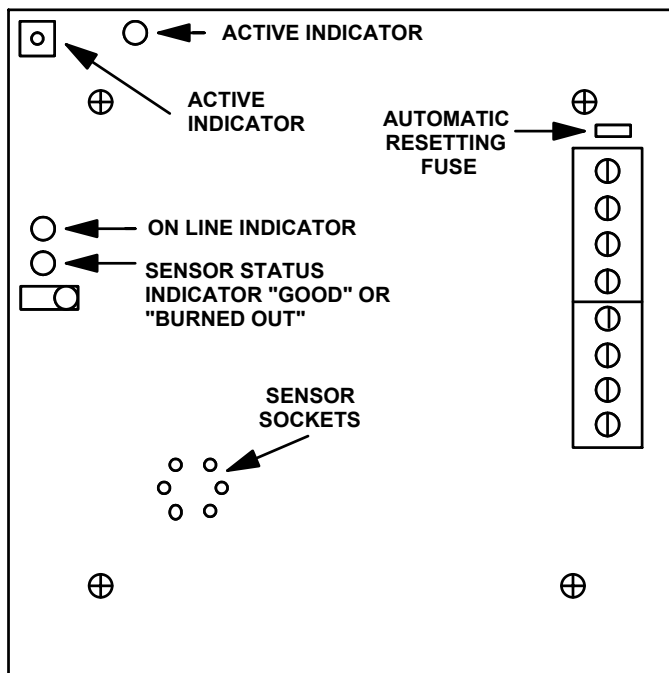
FRONT DOOR VIEW



HINGE SIDE VIEW

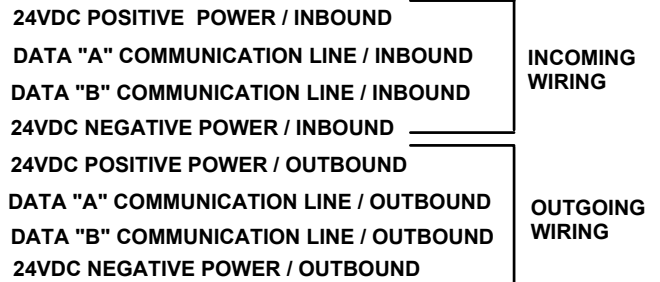


ENCLOSURE INTERIOR



CIRCUIT BOARD LAYOUT & WIRING CONNECTION IDENTIFICATION

CIRCUIT BOARD DRAWING SHOWN IS ACTUAL SIZE



Critical Environment Technologies www.critical-environment.com	
TITLE: AST SERIES ANALOG TRANSMITTER WITH SOLID-STATE SENSOR, WATER/DUCT TIGHT ENCLOSURE LAYOUT	
DRAWING NUMBER: DST-003	REV: "A" SEPT-10-2002
DRAWN BY: F. B.	ENGINEER: F.A.