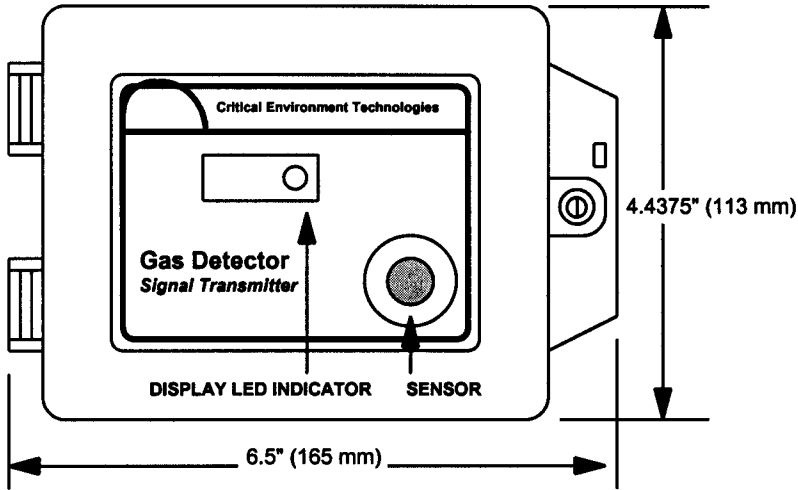
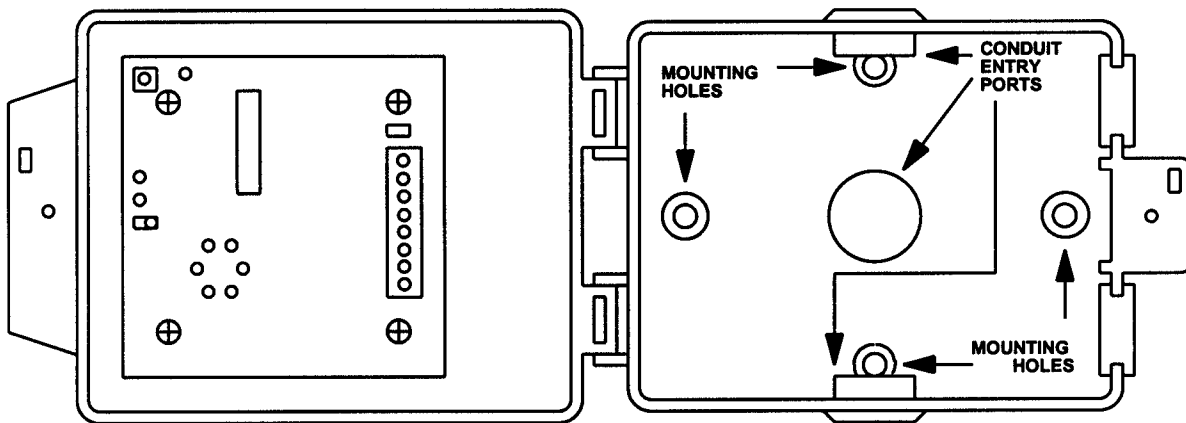
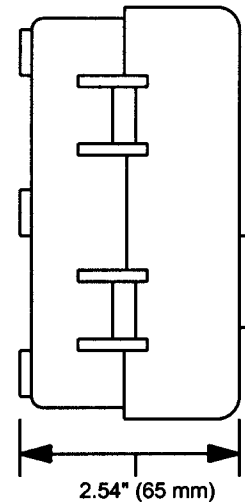


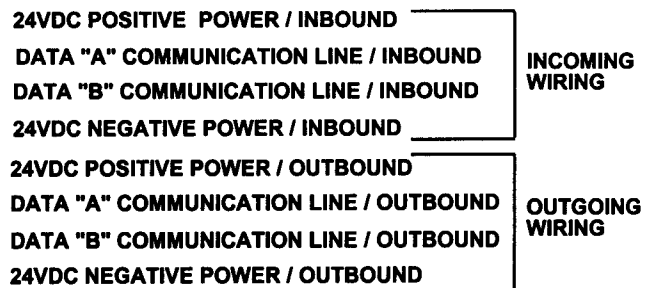
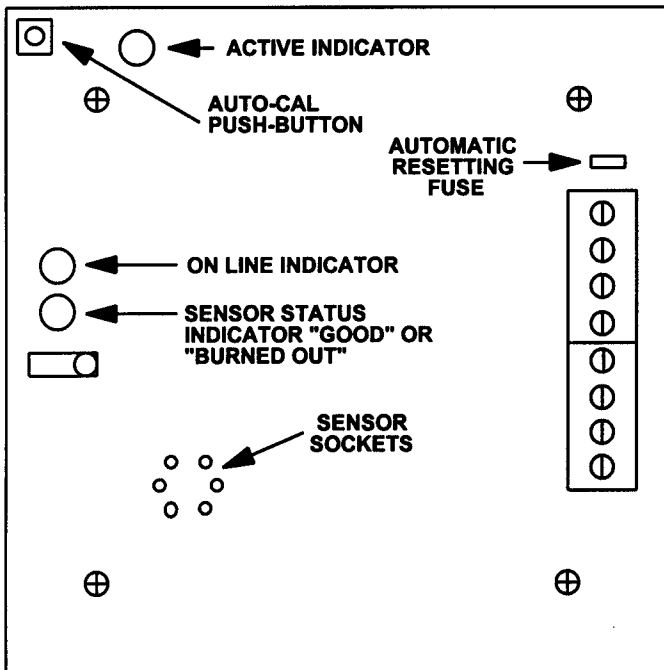
FRONT DOOR VIEW



HINGE SIDE VIEW



ENCLOSURE INTERIOR



CIRCUIT BOARD LAYOUT & WIRING CONNECTION IDENTIFICATION

CIRCUIT BOARD DRAWING SHOWN IS ACTUAL SIZE

Critical Environment Technologies
www.critical-environment.com

TITLE: DST SERIES DIGITAL TRANSMITTER WITH SOLID-STATE SENSOR. GENERAL PURPOSE PVC ENCLOSURE LAYOUT

DRAWING NUMBER: DST-001

REV: "B" APR-30-2001

DRAWN BY: F. B.

ENGINEER: F.A.