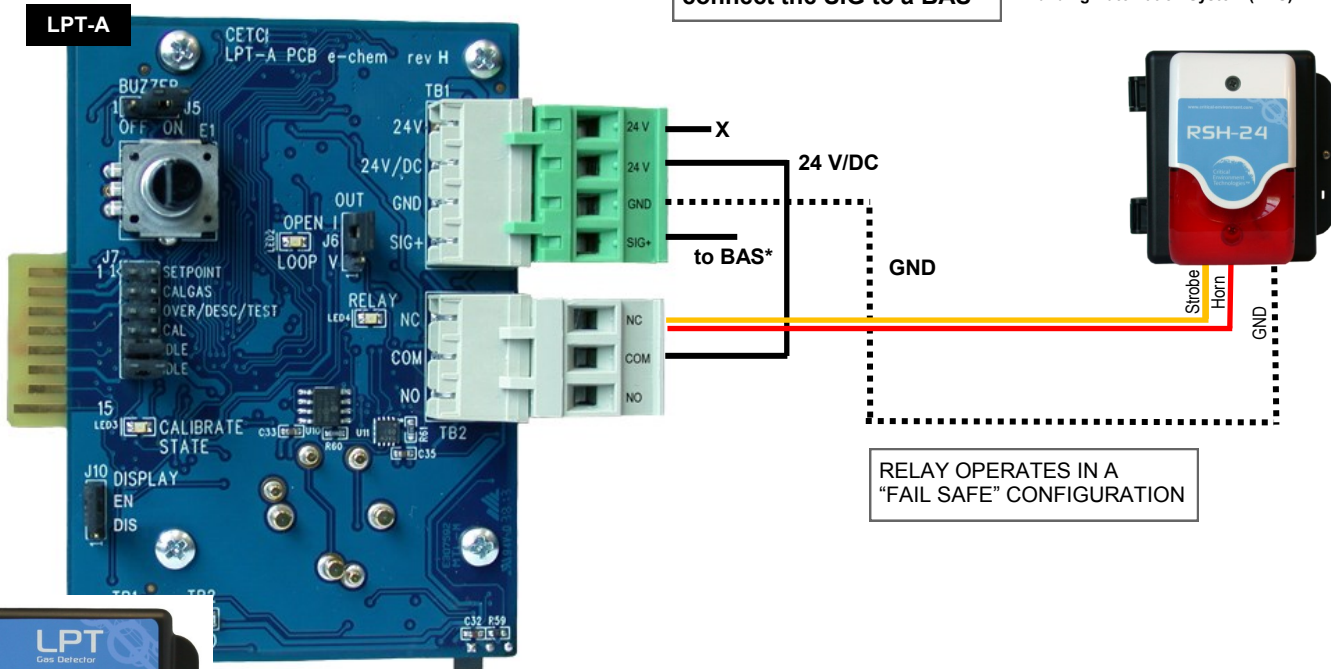


**INSTALLER SUPPLIED
24 VDC OPTION**
Connect to the 24V/DC and
the GND. If applicable
connect the SIG to a BAS*

* Building Automation System (BAS)



AS SHOWN, STROBE & HORN OPERATE TOGETHER.

TO ENABLE STROBE ONLY, CONNECT THE YELLOW WIRE AND THE BLACK (GND) WIRE.

TO ENABLE HORN ONLY, CONNECT THE RED WIRE AND THE BLACK (GND) WIRE.

RELAY OPERATES IN A "FAIL SAFE" CONFIGURATION

LPT-A WITH INTERNAL ELECTROCHEMICAL SENSOR



CRITICAL ENVIRONMENT TECHNOLOGIES CANADA INC.
www.critical-environment.com

**24 VDC SUPPLIED POWER TO LPT-A WITH INTERNAL ELECTROCHEMICAL SENSOR AND RSH-24VDC USING RELAY WIRING CONNECTION DRAWING
REV-A July 5, 2017**