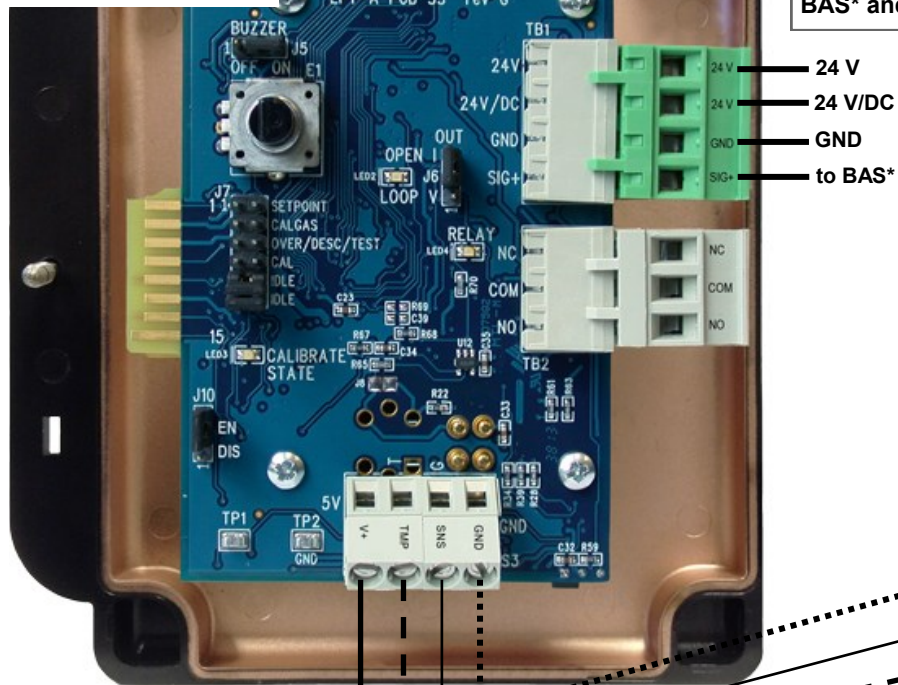




**LPT-A-R**

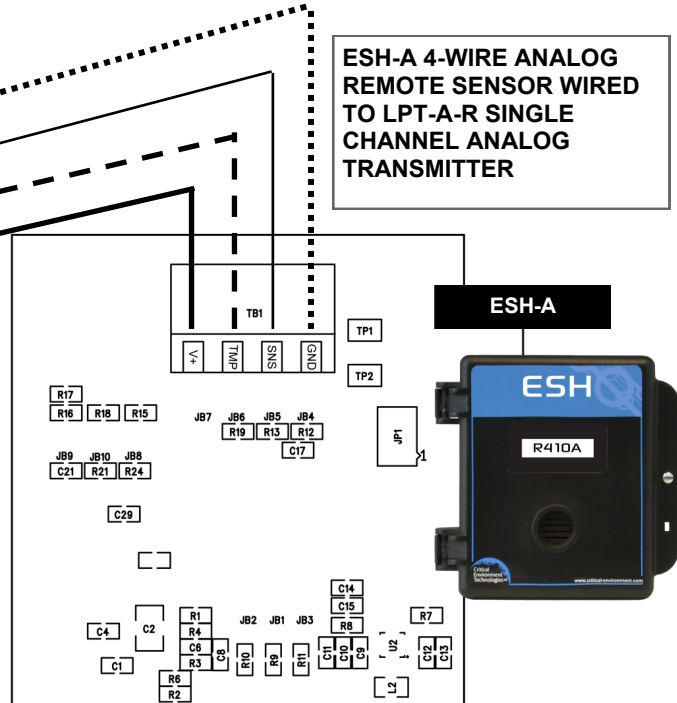
**INSTALLER SUPPLIED  
24 VAC OPTION**  
Connect to the 24V and 24V/DC.  
If applicable connect the SIG to a  
BAS\* and connect the GND.

\* Building Automation System (BAS)



**LPT-A-R WITH NO  
INTERNAL SENSOR**

**ESH-A 4-WIRE ANALOG  
REMOTE SENSOR WIRED  
TO LPT-A-R SINGLE  
CHANNEL ANALOG  
TRANSMITTER**



**CRITICAL ENVIRONMENT TECHNOLOGIES CANADA INC.**  
[www.critical-environment.com](http://www.critical-environment.com)

**24 VAC SUPPLIED POWER TO LPT-A-R WITH ESH-A REMOTE SENSOR  
WIRING CONNECTION DRAWING**  
REV-A July 5, 2017