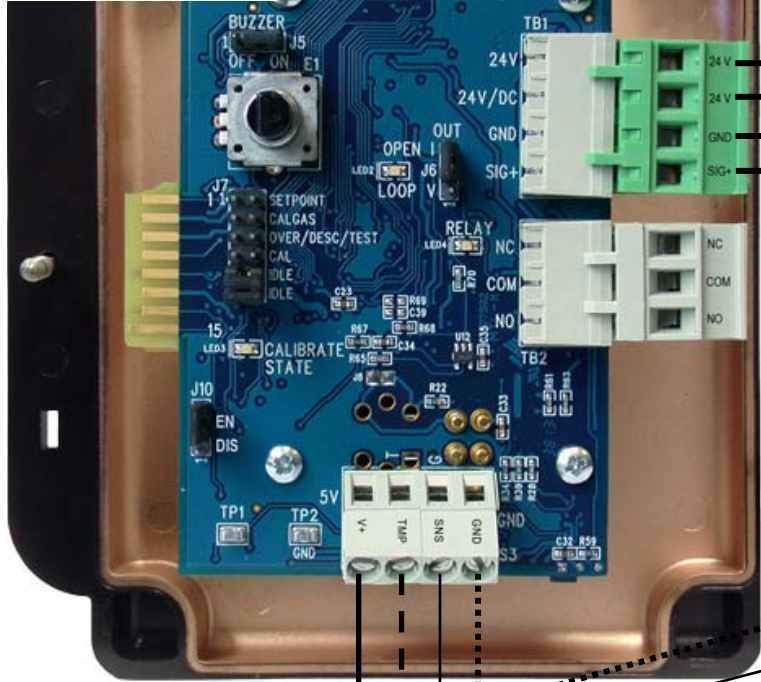




LPT-A-R

**INSTALLER SUPPLIED
24 VDC OPTION**
Connect to the 24V/DC and
the GND. If applicable
connect the SIG to a BAS*

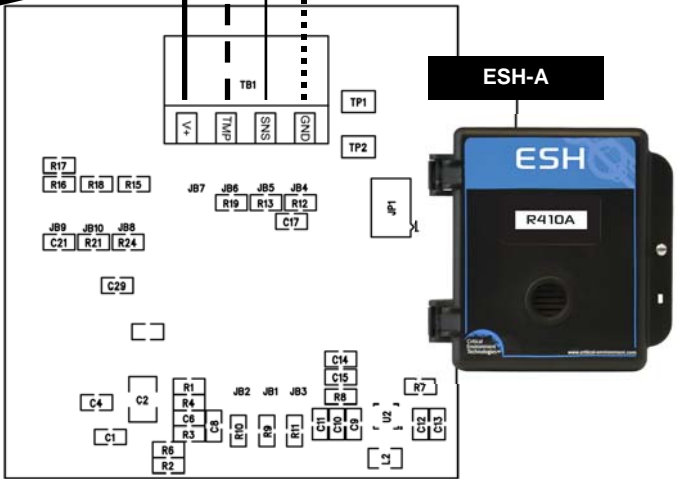
* Building Automation System (BAS)



- 24V — X
- 24V/DC —
- GND —
- SIG+ — to BAS*

**LPT-A-R WITH NO
INTERNAL SENSOR**

**ESH-A 4-WIRE ANALOG
REMOTE SENSOR WIRED
TO LPT-A-R SINGLE
CHANNEL ANALOG
TRANSMITTER**



CRITICAL ENVIRONMENT TECHNOLOGIES CANADA INC.
www.critical-environment.com

**24 VDC SUPPLIED POWER TO LPT-A-R WITH ESH-A REMOTE SENSOR
WIRING CONNECTION DRAWING**
REV-A July 5, 2017