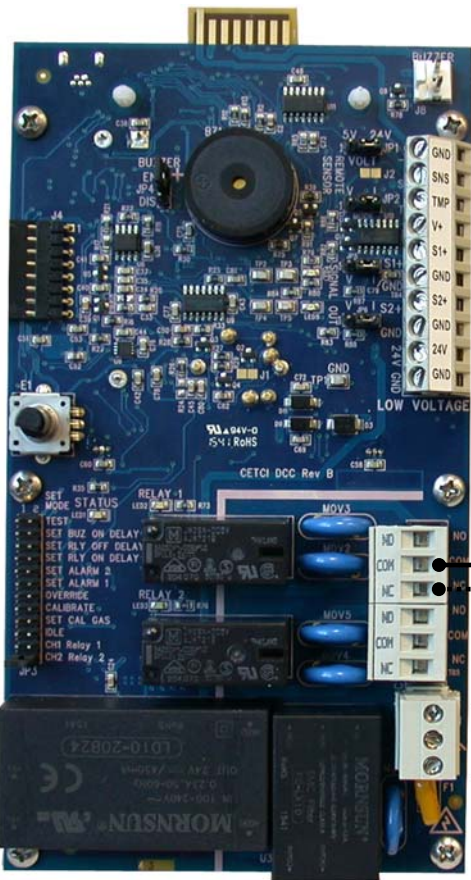


DCC & RSH-24V REMOTE STROBE & HORN COMBO (LINE VOLTAGE)

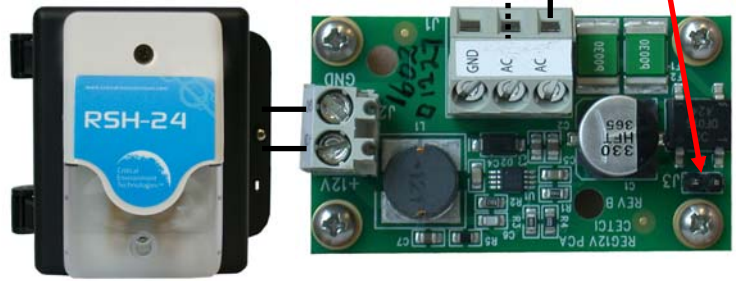


110V
 TRANSFORMER
 INSTALLER SUPPLIED
 24VAC (NOMINAL) POWER



LINE VOLTAGE
 WIRING TERMINAL
 90 - 240VAC

Install
 Jumper
 J3



NOTE: Two SPDT dry contact relays, including VFD control, rated 5 amps @ 240 VAC
 RELAYS OPERATE IN FAIL SAFE CONFIGURATION.

NOTE: DO NOT RUN LINE VOLTAGE AND LOW VOLTAGE WIRES IN THE SAME CONDUIT.

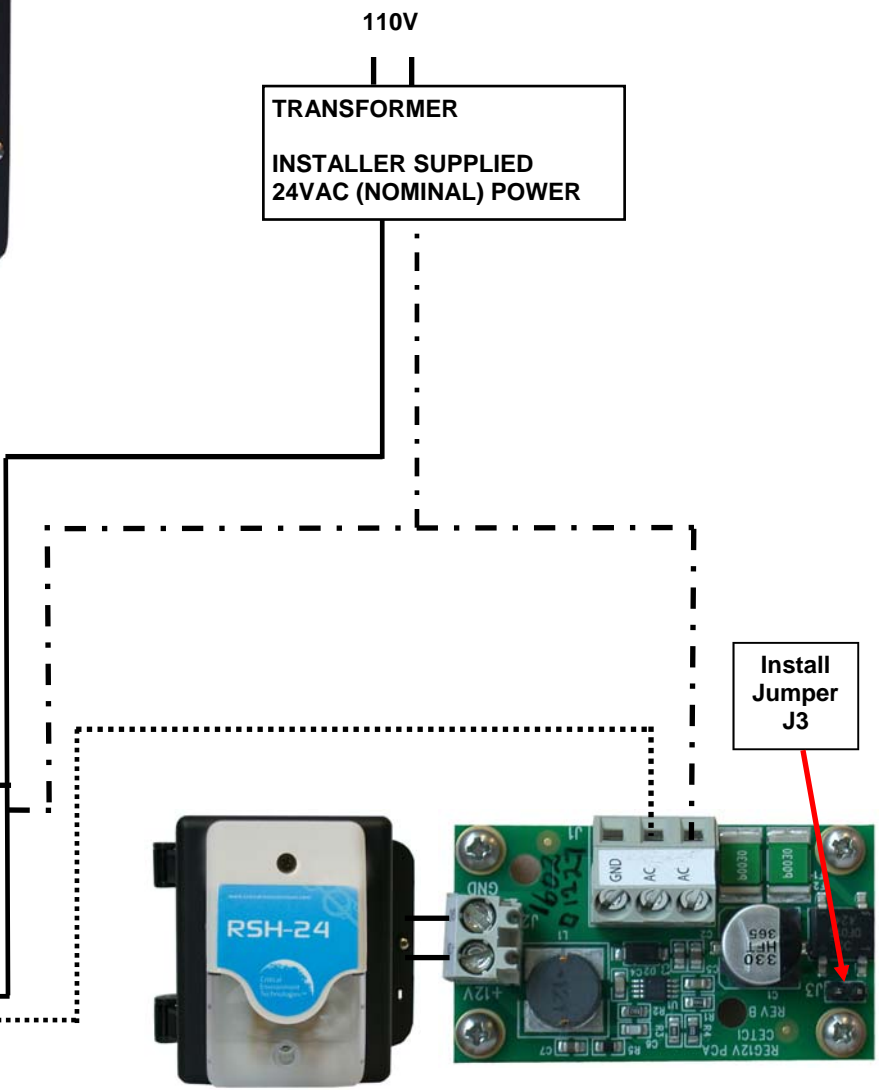
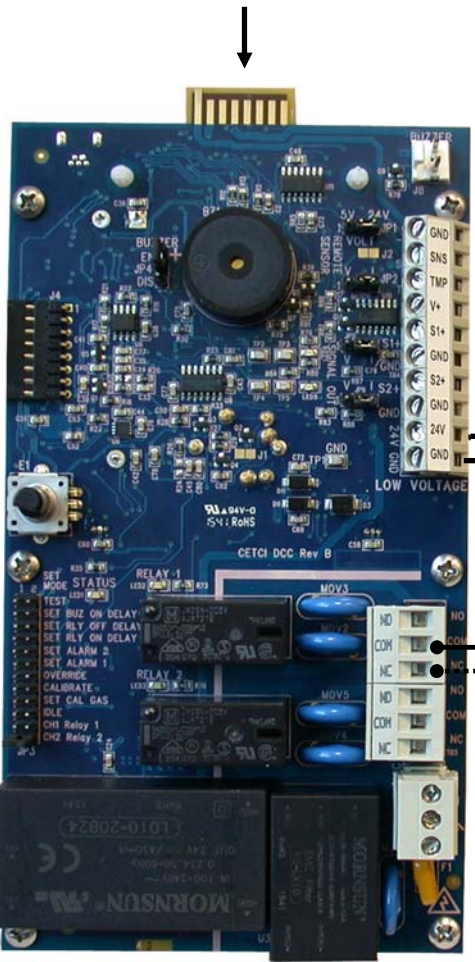
CRITICAL ENVIRONMENT TECHNOLOGIES CANADA INC.

NAME:	WIRING CONNECTIONS- LINE VOLTAGE SUPPLY
MODEL:	All DCC Models with RSH-24V
DATE:	March 21, 2016

DCC & RSH-24V REMOTE STROBE & HORN COMBO (24VAC)



110V
 TRANSFORMER
 INSTALLER SUPPLIED
 24VAC (NOMINAL) POWER



NOTE: Two SPDT dry contact relays, including VFD control, rated 5 amps @ 240 VAC
 RELAYS OPERATE IN FAIL SAFE CONFIGURATION.

NOTE: DO NOT RUN LINE VOLTAGE AND LOW VOLTAGE WIRES IN THE SAME CONDUIT.

CRITICAL ENVIRONMENT TECHNOLOGIES CANADA INC.	
NAME:	WIRING CONNECTIONS—24VAC POWER SUPPLY
MODEL:	All DCC Models with RSH-24V
DATE:	March 21, 2016