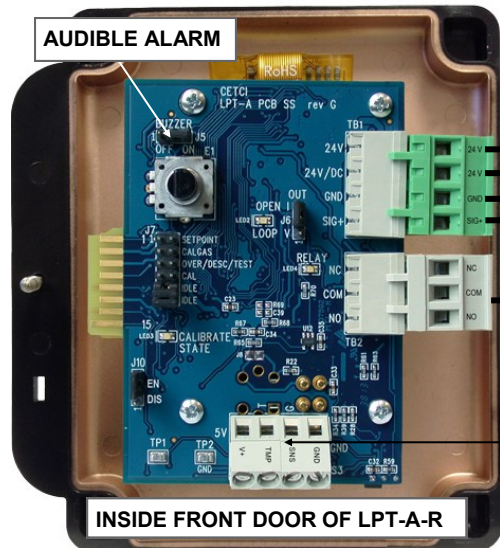




NO INTERNAL SENSOR

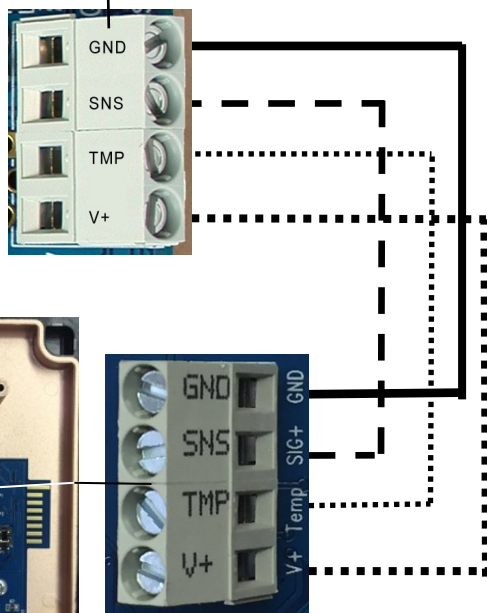


**INSTALLER SUPPLIED  
24 VAC OPTION**  
Connect to the 24V and 24V/DC.  
If applicable connect the SIG to a BAS\* and connect the GND.

**INSTALLER SUPPLIED  
24 VDC OPTION**  
Connect to the 24V/DC and the GND. If applicable connect the SIG to a BAS\*

OR

**RELAY CONTROL WIRING TERMINALS. CONNECT TO COM & N/C.  
DO NOT USE SOLID CORE WIRE**



INTERNAL CATALYTIC COMBUSTIBLE (H<sub>2</sub>, CH<sub>4</sub> or C<sub>3</sub>H<sub>8</sub>) SENSOR or SOLID STATE REFRIGERANT (All Types) SENSOR



**ESH-A 4-WIRE ANALOG  
REMOTE SENSOR WIRED TO  
LPT-A-R SINGLE CHANNEL  
ANALOG TRANSMITTER**

**THIS LPT-A-R / ESH-A COMBINATION MAKES A ONE CHANNEL GAS DETECTION SYSTEM MONITORING COMBUSTIBLE GAS (H<sub>2</sub> or CH<sub>4</sub> or C<sub>3</sub>H<sub>8</sub>) or REFRIGERANT IN MANY TYPES OF APPLICATIONS**

\* Building Automation System (BAS)

**CRITICAL ENVIRONMENT  
TECHNOLOGIES CANADA INC.**  
www.critical-environment.com  
**LPT-A-R C/W ESH-A WIRING CONNECTION  
PHOTO DRAWING  
REV-B October 5, 2016**