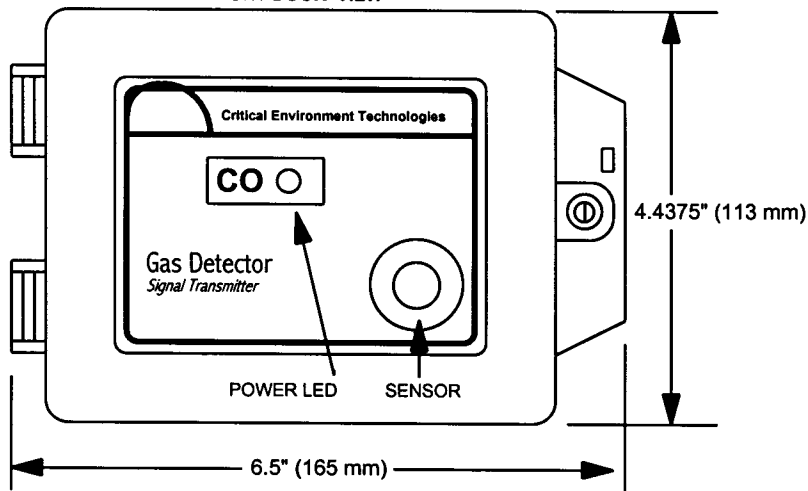
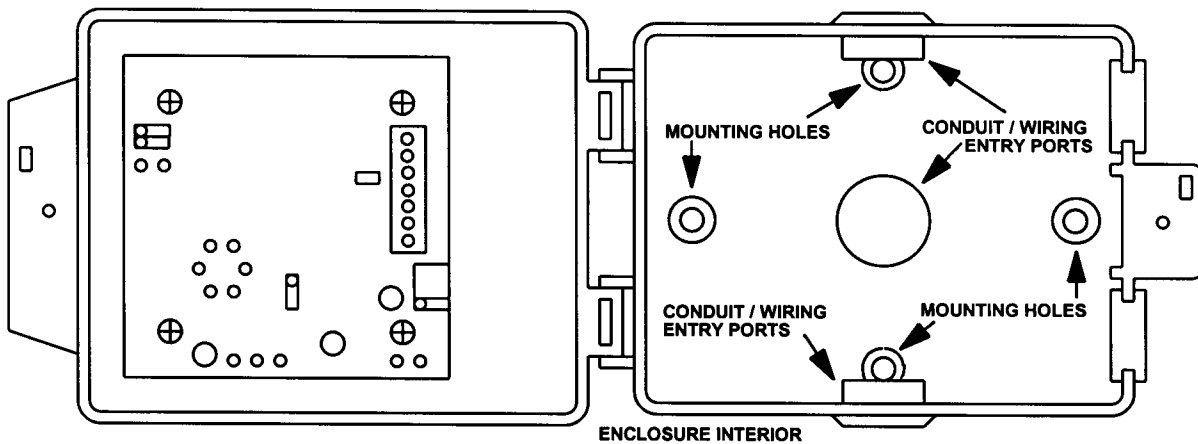
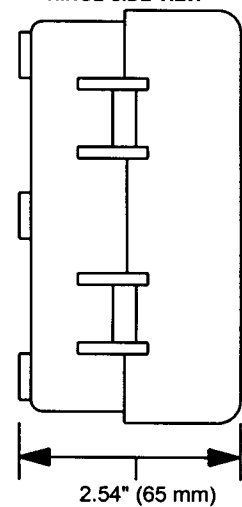


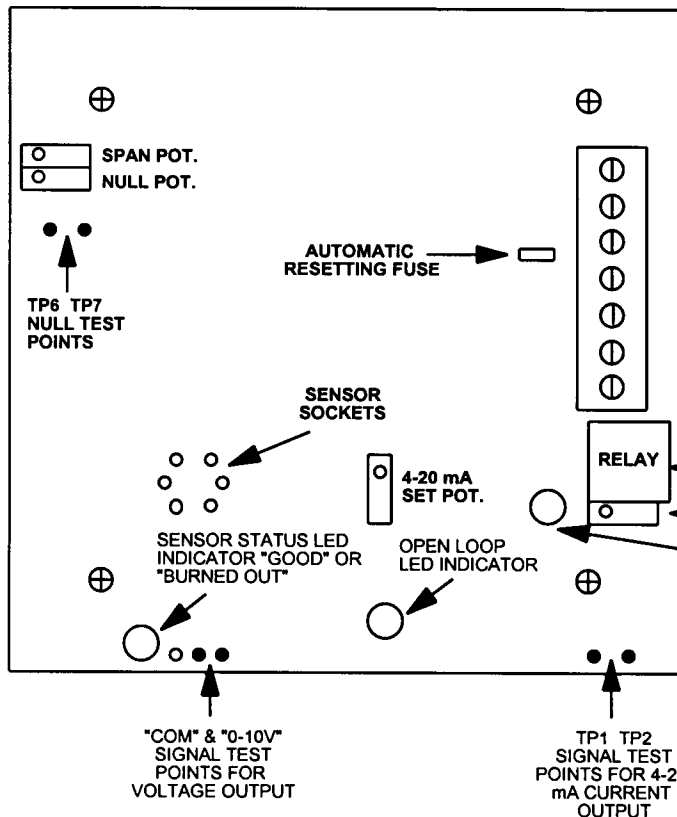
FRONT DOOR VIEW



HINGE SIDE VIEW



CIRCUIT BOARD LAYOUT & WIRING CONNECTION IDENTIFICATION



CIRCUIT BOARD DRAWING
SHOWN IS ACTUAL SIZE

- AC (16-28 VAC) INCOMING POWER
- AC/DC (16-28 VAC or 20-30 VDC) INCOMING POWER
- GND (GROUND)
- SIG (SIGNAL 4-20 MA)
- NO (NORMALLY OPEN DRY CONTACT) "OPTION"
- COM (COMMON DRY CONTACT) "OPTION"
- NC (NORMALLY CLOSED DRY CONTACT) "OPTION"

- RELAY ← DRY CONTACT RELAY (S.P.D.T.) "OPTION"
- RELAY "SET" POTENTIOMETER "OPTION"
- RELAY COIL STATUS LED INDICATOR "OPTION"

Critical Environment Technologies
www.critical-environment.com

TITLE: AST SERIES ANALOG TRANSMITTER WITH SOLID-STATE
SENSOR. GENERAL PURPOSE PVC ENCLOSURE LAYOUT

DRAWING NUMBER: AST-878

REV: "A" DEC-11-2000

DRAWN BY: F. B.

ENGINEER: F.A.